

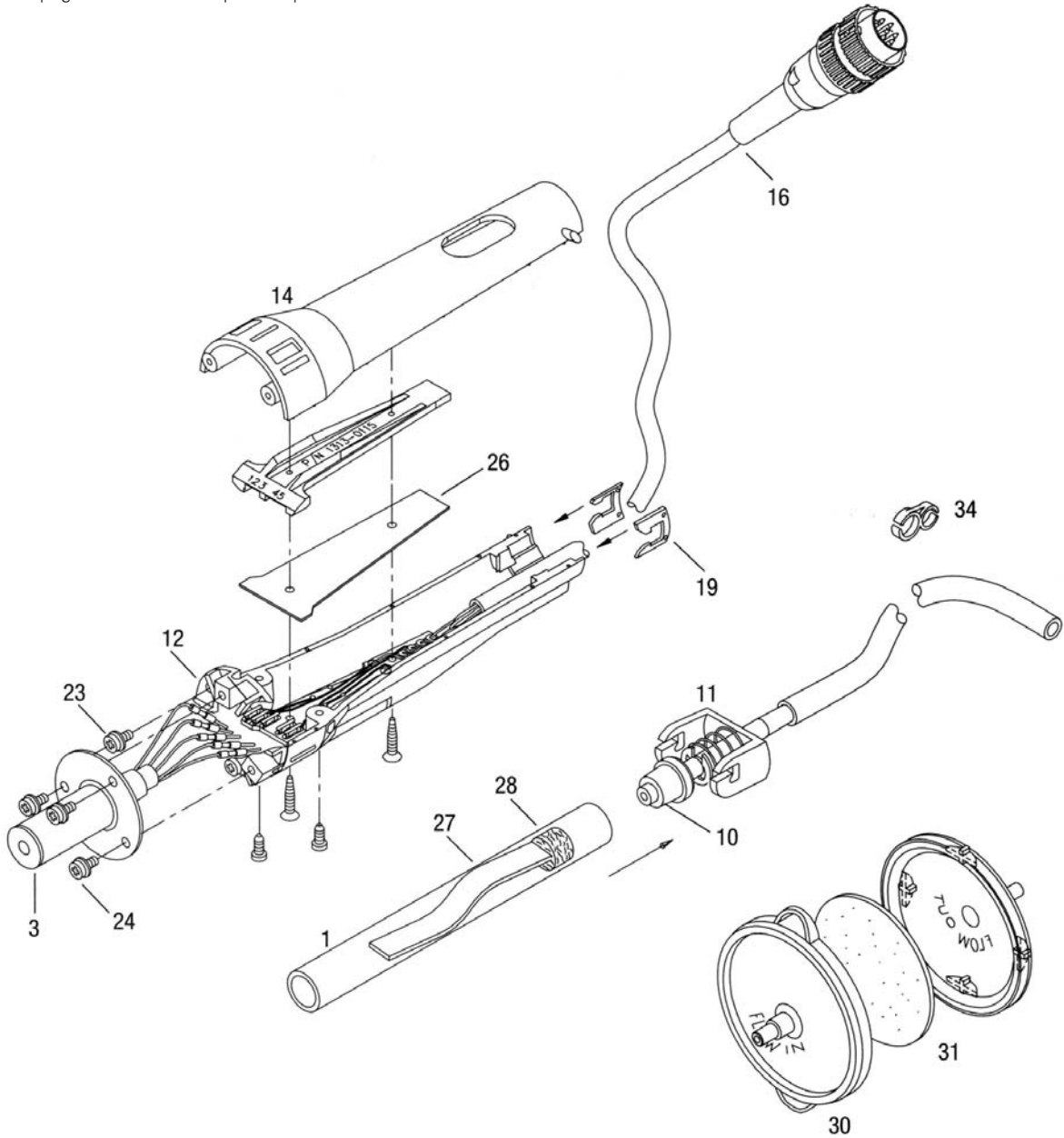
# SX-70 Handpiece

## SX-70 Replacement Parts Diagram



### SX-70 parts Diagram

See page 12 for the description of parts



# SX-70 Handpiece

## SX-70 Replacement Parts



ITEM	DESCRIPTION	PART NUMBERS
1	Glass Chamber	1265-0009-P1
3	SX-70 Heater and Seal Assembly	6010-0080-P1
	Front Seal, Heater	1213-0033-P1
10	Rear Seal	1213-0001-P1
11	Rear Seal Retainer Assembly	4010-0106-P1
12	Heat Dissipator	1360-0005-P1
14	Replacement Handle Kit (SX, TP, TJ) (includes Top/Bottom Plates, Heat Dissipator, and Hardware)	6993-0140
	Replacement Hardware Kit (SX, TP, TJ) (includes Screws and Handle Clips)	6993-0189-P1
14	Switch and Cord Assembly (SX-70 only)	4010-0098-P1
16	Handle Clips	1209-0006-P5
19	Replacement Button	1119-0119-P1
	Dissipator Mounting Screws (mounts dissipator to handle)	1405-0534-P3
23	Heater Mounting Screws	1405-0395-P3
24	Solder Shield (comes with the purchase of any Heater Assembly)	1213-0072-P10
26	"S" Baffle	4010-0033-P1
27	Sodr-X-Tractor Filter	
28	Package of 10	1309-0018-P10
	Package of 50	1309-0018-P50
	VisiFilter, Fixed	1309-0020-P1
30	VisiFilter, Replaceable	1309-0028-P1
30	Replaceable VisiFilter Elements	
	Package of 10	1309-0027-P10
	Package of 25	1309-0027-P25
	Package of 50	1309-0027-P50
	Tubing, Length 1370mm (54") Black	1342-0015-08-P1
	Black Hose Clamps	1321-0085-01-P6
34	Hose Fitting, Female (Quick Disconnect)	1259-0086-P1
	Hose Fitting, Male (Quick Disconnect)	1259-0087-P1
	Tubing, Length (2 ") Translucent	1342-0001-01-P1
	6 Conductor Cable Assembly	1332-0148-P1
	Gender Bender Adaptor (Allows SensaTemp Handpieces to be used on IntelliHeat power sources)	6993-0278-P1
	SX Tool Stand (Available November 2007)	6019-0082-P1